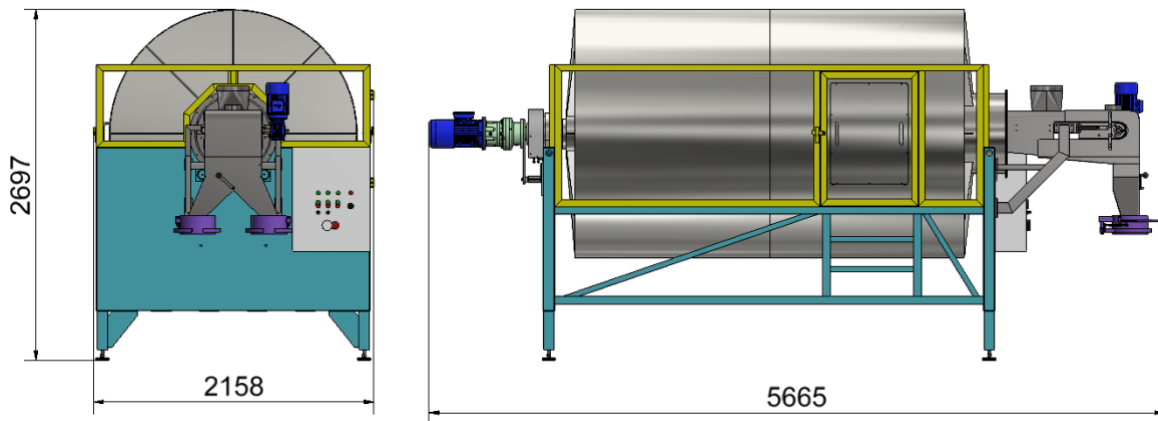


DRUM MIXER SPECIFICATION SHEET



DATA SHEET:

Power	3 x 400 VAC; 50Hz
Output power	6000W
Control unit voltage	24V
Main fuse	32A
Inverter	mitsubishi FR-A740-00126-EC
Motor type	3 phase, SKG 100L4B
Motor Power	4kW
Motor gear	BONFIGLIOLI A603 UH60 P-100 B5
Motor speed	1450 rpm
Display	Mitsubishi GOT1000
Dimensions	2392x1706x5389
Weight	~1200 kgs

ul. Krotoszyńska 74
63-708 Rozdrażew
POLAND
+48 62 7221 474
www.scorpion.pl



DECLARATION OF COMPLIANCE

We hereby declare that the product:

Designation: DRUM MIXER 2000L
Serial number: XXXXXXXXXXXX

Meets requirements of the following directives:
Directive 2006/42/WE
Directive 2014/30/UE (former 2004/108/WE)

Applied harmonized standards, in particular:
ISO 9001:2015
PN-EN ISO 12100:2011
PN-EN 953+A1:2009
PN-EN ISO 13849-1:2008
PN-EN 60204-1:2010
PN-EN ISO 3834-2: 2007
PN-EN ISO 5817_2014

Authorized to compile technical documentation:	
Signature:	
Issued in Rozdrażew	On